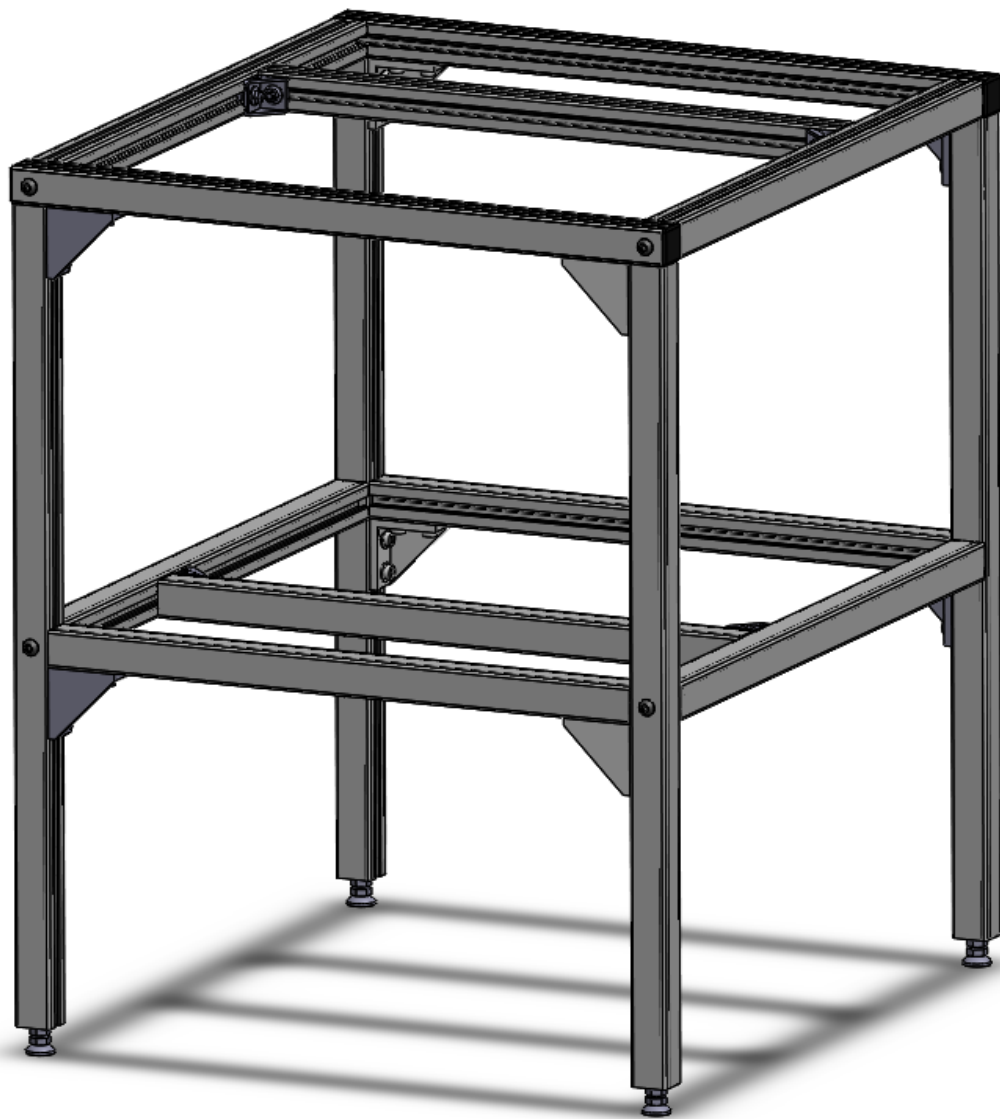
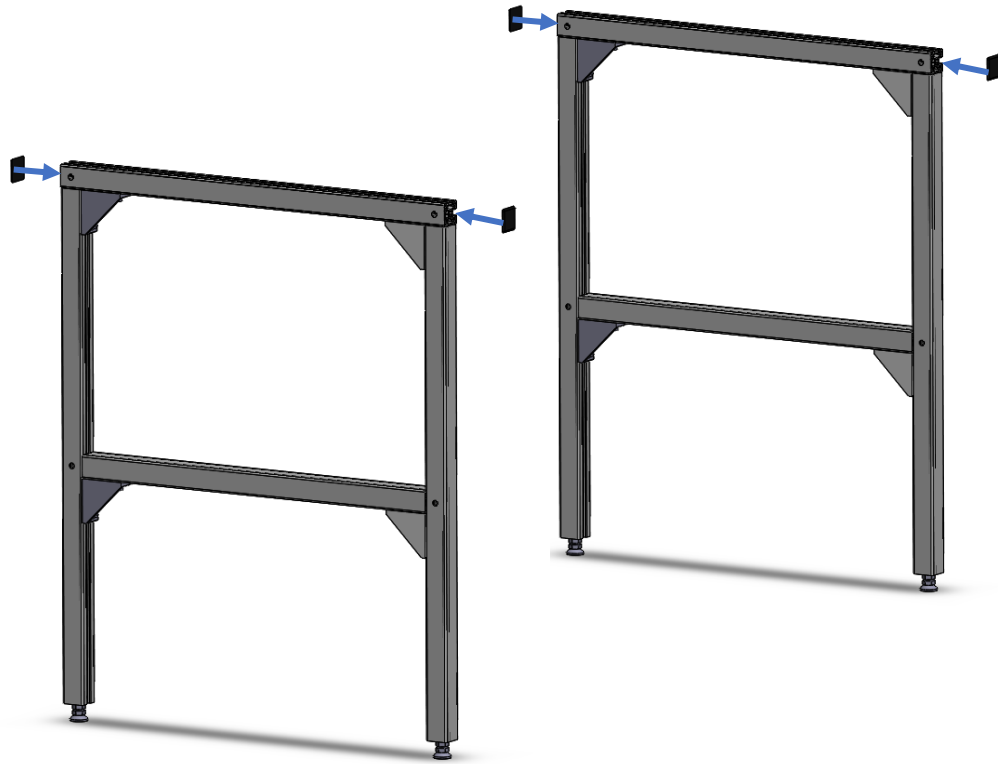


**Assembly guide**  
**BLACKBELT Support Frame**



1.



2.



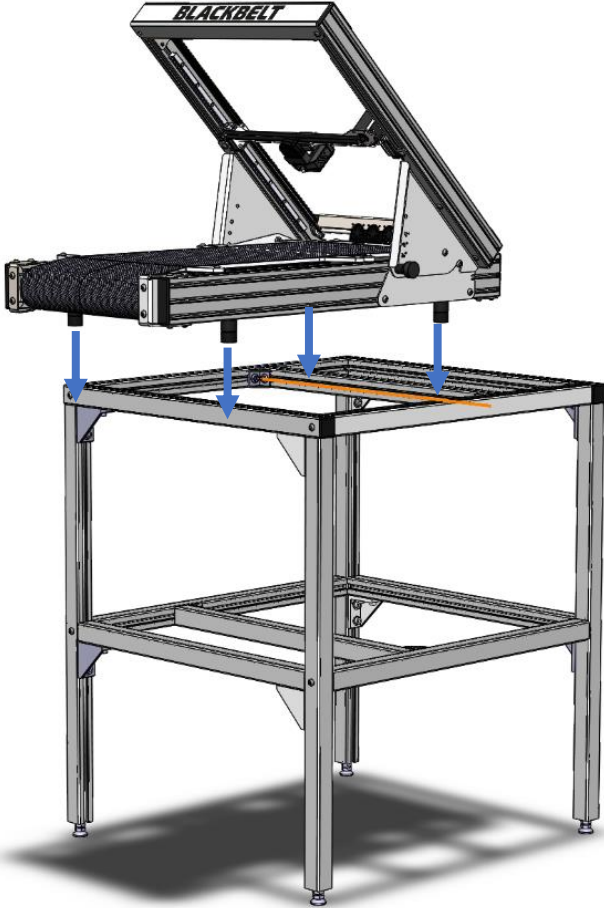
3.



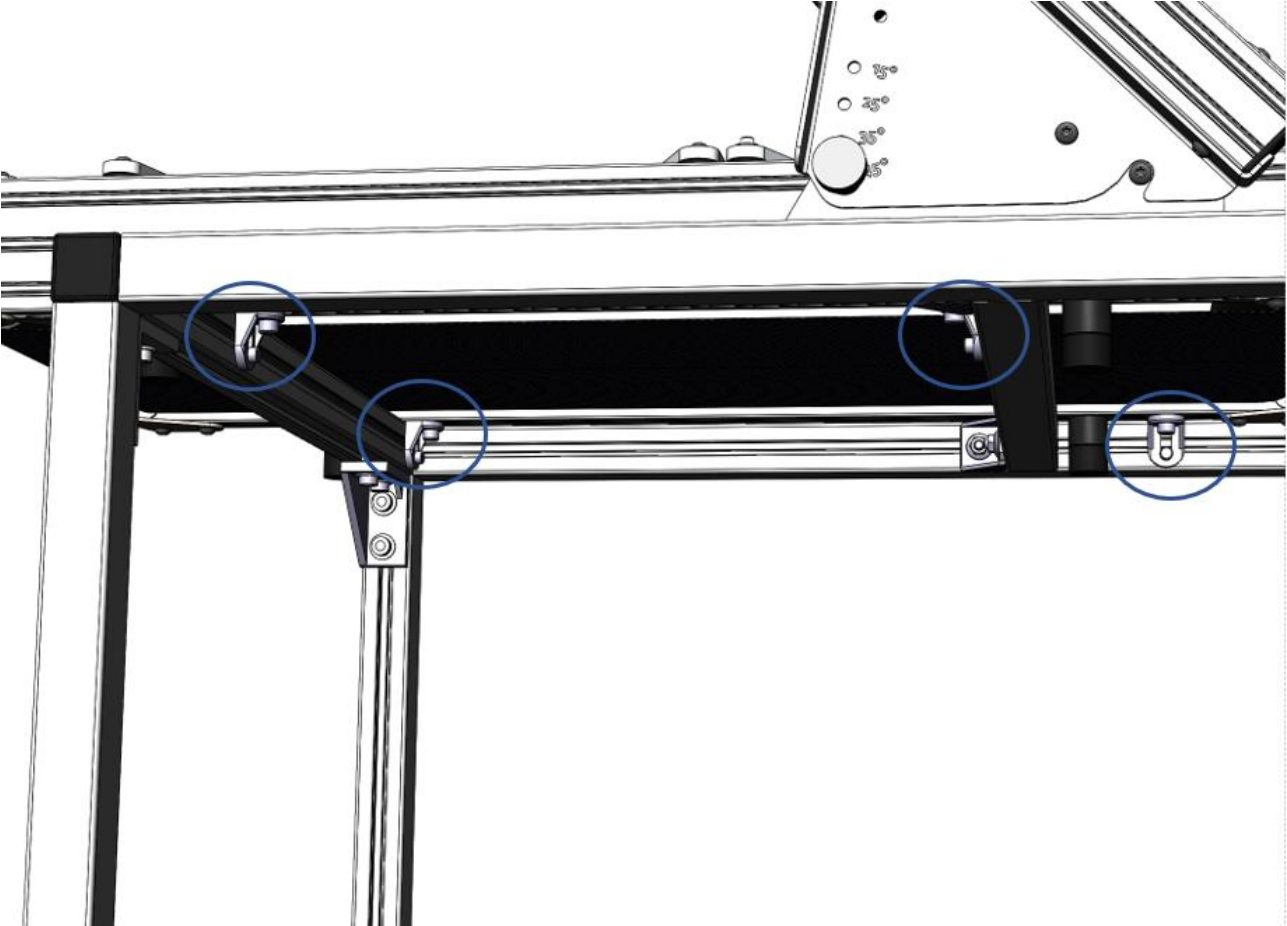
4.



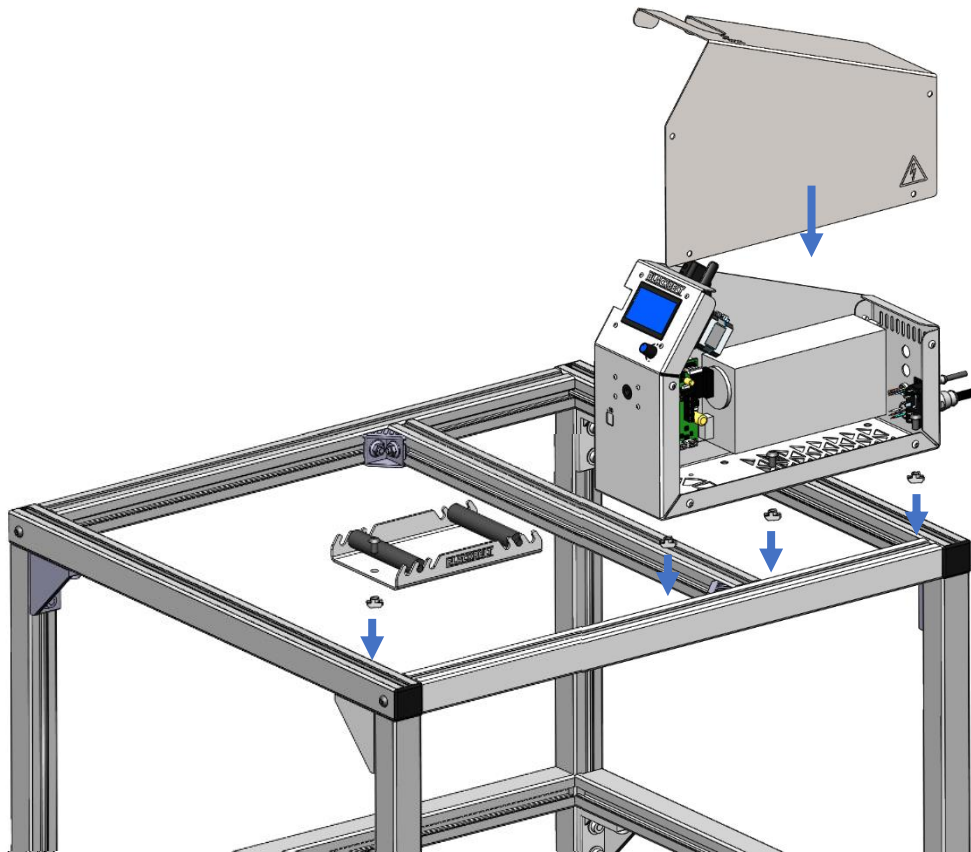
5.



6.



7.



8.

